

## Features

- **Heavy Duty Explosion Proof Enclosure**
  - Ingress protection to IP57
  - Rugged Construction
  - MSHA Approval Only (USA)
  - Aluminium Construction
- **Deep Blue Screen With Brilliant White Text**
  - 4 lines by 20 characters
  - Excellent visibility in low light conditions
- **RS-422 Network**
  - Optically Isolated
  - Full Duplex to 115Kbps
  - Simple, Fast LB Display Protocol
  - Easily interfaced to a number of different control system platforms.
- **Operates -10°C to +65°C**
  - All industrial components

## Description

This display features a brilliant blue LCD panel offering bright, clear white text in a 4-line by 20-character format. The display is housed in its own MSHA-approved explosion-proof enclosure. A standard RS-422 interface is provided for sending high-speed display update information to the module.

## Typical Applications

- Continuous Miners
- Continuous Haulage
- Long Wall Shearers
- Mobile Bolters
- Mobile Roof Supports
- Remote Control Scoops
- Remote Control Loaders
- Control Room Surface Monitoring



## Type GE Mining Display

4 line x 20 character LCD Display  
Type L0GE



## Pempek Systems

Australia  
Unit 3 / 13 Hoyle Ave  
Castle Hill NSW 2154  
Phone + (612) 9634 2540  
Fax + (612) 9894 0379

USA  
640 Bizzell Drive  
Lexington KY 40510  
Phone + (859) 252 4439  
Fax + (859) 252 4641

Web [www.pempek.com.au](http://www.pempek.com.au)



## Ordering Information

Part Number	Description
LOLM0401XP	Diagnostic Display 4x20 Blue (with XP Enclosure)
LOLM0401	Diagnostic Display 4x20 Blue (No XP Enclosure Included)

## Wiring Assignments

Connector Klippon 12-Pin Female Terminal Connector		
PIN	Description	Signal
J1-5	+24 VDC Supply Input	+24VDC Supply In
J1-6	0VDC Supply Input	0VDC Supply In
J1-2	Z	RS-422 #1 RXD-
J1-3	Y	RS-422 #1 RXD+
J1-4	B	RS-422 #1 TXD-
J1-7	A	RS-422 #1 TXD+

## Electrical Characteristics

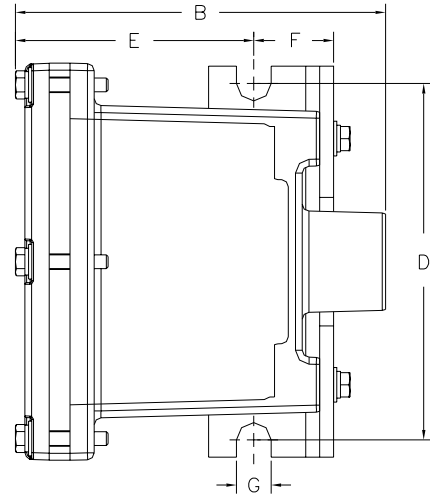
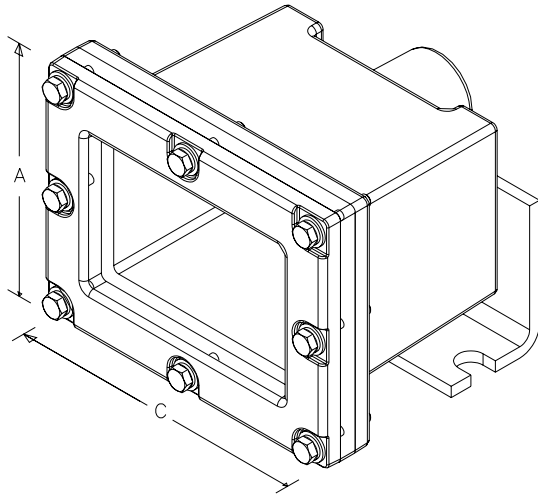
Supply	
Voltage	24 VDC ( $\pm 10\%$ )
Power Consumption	10W MAX

Communications	
Interface	RS-422
Throughput	38400 bps
Protocol(s)	Pempek LB Display Protocol
Medium	Copper

Environmental	
Ingress Protection	IP57
Operating Temperature	Minus 10°C to +65°C
Humidity	Tested to 85%
MTBF	12,000 hours



## Mechanical Characteristics



Dimension	Measurement	Description
A	139.7 mm (5.5")	Height
B	169.5 mm (6.7")	Depth
C	181.8 mm (7.2")	Width
D	163.2 mm (6.4")	Mounting Centre - Width
E	109.2 mm (4.3")	Mounting Centre - Depth (from front)
F	36.5 mm (1.4")	Mounting Centre - Depth (from rear)
G	15.9 mm (0.6")	Mounting Hole Width